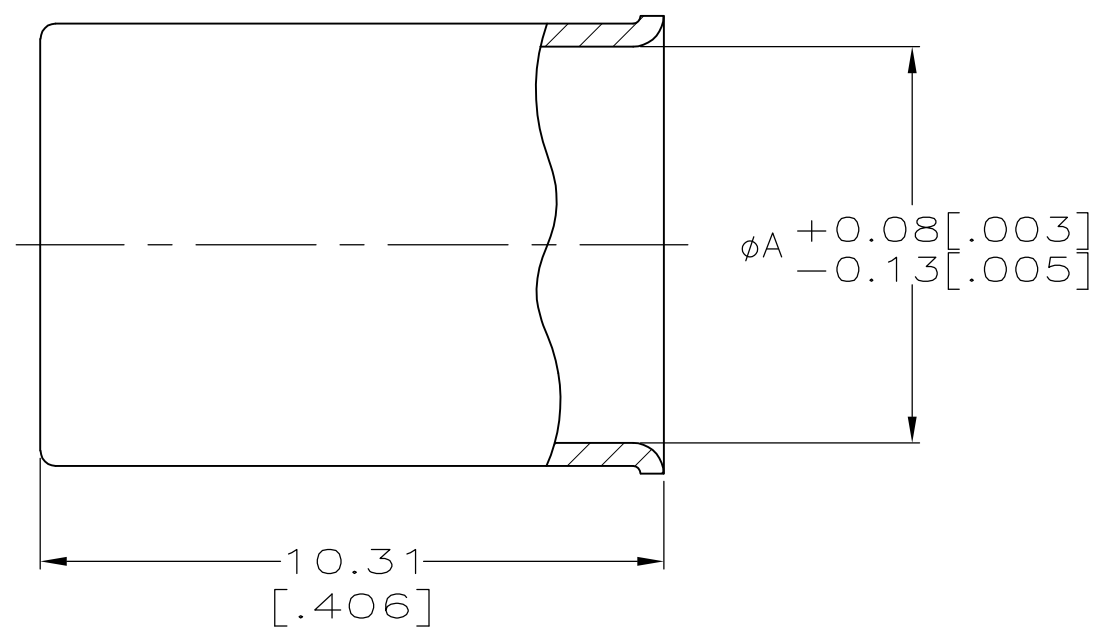


THIS DRAWING IS UNPUBLISHED. RELEASED FOR PUBLICATION
 © COPYRIGHT BY TYCO ELECTRONICS CORPORATION. ALL RIGHTS RESERVED.

LOC	DIST	REVISIONS					
AJ	16	P	LTR	DESCRIPTION	DATE	DWN	APVD
			AJ2	REVISED PER ECO-10-008433	24MAY10	HMR	KW



1. COPPER ALLOY
2. TIN-LEAD PLATE PER ASTM-B-545, 2.54 μm [.000100] MIN THICKNESS, WITH SUPPLEMENTAL ANTI FRETTING LUBRICANT.
3. SILVER PLATE PER QQ-S-365, 5.08 μm [.000200] MIN THICKNESS
4. SEE SEPARATE RESTRICTED CUSTOMER DRAWING FOR THIS PART NUMBER
5. MATTE TIN PLATE 2.54 μm [.000100] MINIMUM THICKNESS, WITH SUPPLEMENTAL ANTI FRETTING LUBRICANT
6. BRIGHT TIN PLATE 2.54 μm [.000100] MINIMUM THICKNESS, WITH SUPPLEMENTAL ANTI FRETTING LUBRICANT

	6.55 [.258]	3	9-50428-4
	6.35 [.250]	6	9-50428-3
	6.55 [.258]	6	9-50428-2
	6.35 [.250]	5	9-50428-1
	6.55 [.258]	5	9-50428-0
4	OBSOLETE	-	50428-9
	OBSOLETE	6.35 [.250]	50428-8
	6.35 [.250]	2	50428-6
	6.55 [.258]	2	50428-2
	6.55 [.258]	3	50428-1
	ϕA	FINISH	PART NUMBER

THIS DRAWING IS A CONTROLLED DOCUMENT.		DWN M.E. COWHER 2-17-92	Tyco Electronics Corporation Harrisburg, PA 17105-3608													
DIMENSIONS: mm [INCHES]		CHK J.T. LIPPERT 2-25-92	NAME													
TOLERANCES UNLESS OTHERWISE SPECIFIED:		APVD M. PHILLIPS 2-25-92	FERRULE, HEAVY WALL													
<table border="0"> <tr> <td>0 PLC</td> <td>$\pm -$</td> </tr> <tr> <td>1 PLC</td> <td>$\pm -$</td> </tr> <tr> <td>2 PLC</td> <td>$\pm 0.38 [.015]$</td> </tr> <tr> <td>3 PLC</td> <td>$\pm -$</td> </tr> <tr> <td>4 PLC</td> <td>$\pm -$</td> </tr> <tr> <td>ANGLES</td> <td>$\pm -$</td> </tr> </table>		0 PLC	$\pm -$	1 PLC	$\pm -$	2 PLC	$\pm 0.38 [.015]$	3 PLC	$\pm -$	4 PLC	$\pm -$	ANGLES	$\pm -$	PRODUCT SPEC -	SIZE	CAGE CODE
0 PLC	$\pm -$															
1 PLC	$\pm -$															
2 PLC	$\pm 0.38 [.015]$															
3 PLC	$\pm -$															
4 PLC	$\pm -$															
ANGLES	$\pm -$															
MATERIAL SEE NOTE 1	FINISH SEE TABLE	APPLICATION SPEC -	DRAWING NO A300779	RESTRICTED TO -												
CUSTOMER DRAWING		WEIGHT -	SCALE 8:1	SHEET 1 OF 1												
			REV AJ2													